

UL recognition, file #E230084  
 Glass passivated chip junction  
 Suitable for printed circuit board or chassis mounting  
 Compact construction  
 High surge current capability  
 Solder dip 275 °C max. 7s, per JESD 22-B106

The KBPC series of single phase rectifier bridge consists of four silicon junctions connected as a full bridge. These devices are intended for general use in industrial and consumer equipment.

Package: KBPC1  
 Molding compound meets UL 94 V-0 flammability rating, RoHS-compliant  
 Terminals: Tin plated leads, solderable per J-STD-002 and JESD22-B102  
 Polarity: As marked on body

U,` @ ilwdxP E Ad \$#btI C@ B@ @ ilwdxP E !@ B@Bt#U G & @ Ó 'P 0`

									. % 3 &
Device marking code			KBPC1005	KBPC101	KBPC102	KBPC104	KBPC106	KBPC108	KBPC110

Maximum Rem em KBPN  
 @60Hz sine wave, R-load, T<sub>c</sub>=130

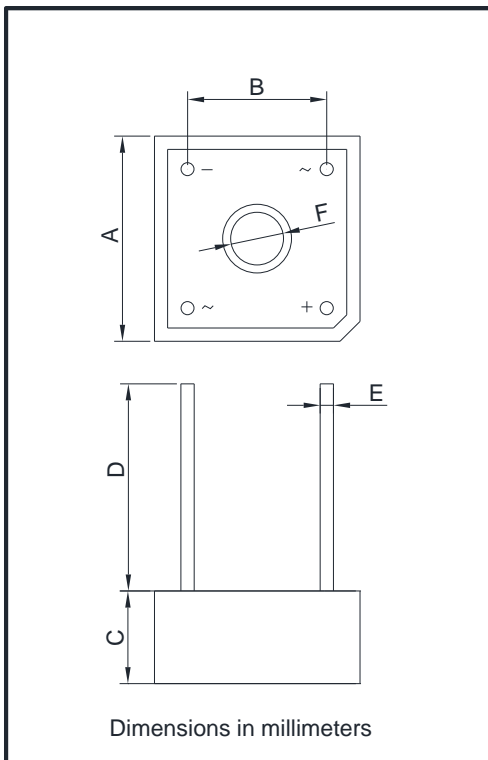
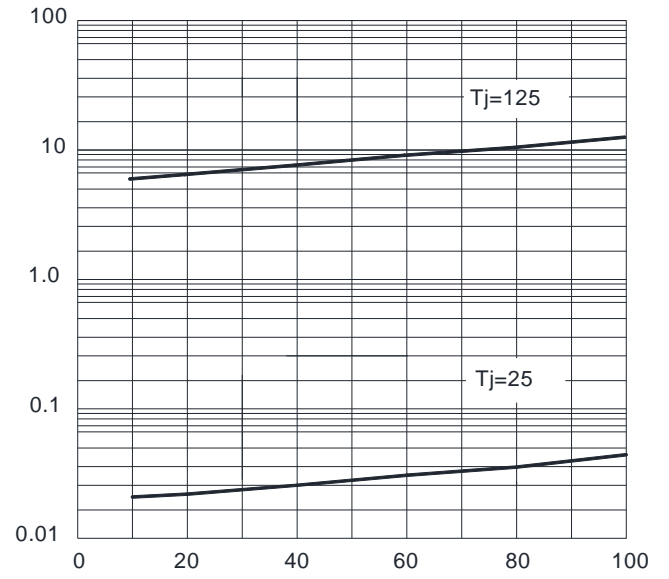
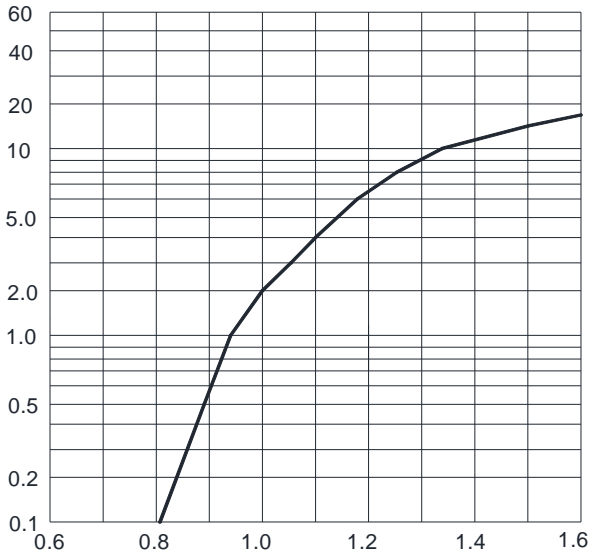
IO

A

1.0

Forward Surge Current (Non-repetitive) @8.3ms,Half-sine wave,1 cycle, T <sub>j</sub> =25	I <sub>FSM</sub>	A	45
Current squared time @1ms t 8.3ms T <sub>j</sub> =25 , Rating of per diode	I <sup>2</sup> t	A <sup>2</sup> S	8.4
Dielectric strength @ Terminals to case, AC 1 minute	V <sub>dis</sub>	KV	2.5
Mounting torque @Recommend torque 5kg cm	Tor	kg cm	8
Storage temperature	T <sub>stg</sub>		-55 ~ +150
Junction temperature	T <sub>j</sub>		-55 ~ +150





A	14.7	15.7
B	10.3	11.3
C	6.35	7.6
D	15.0	/
E	0.74	0.82
F	3.8	4.2

